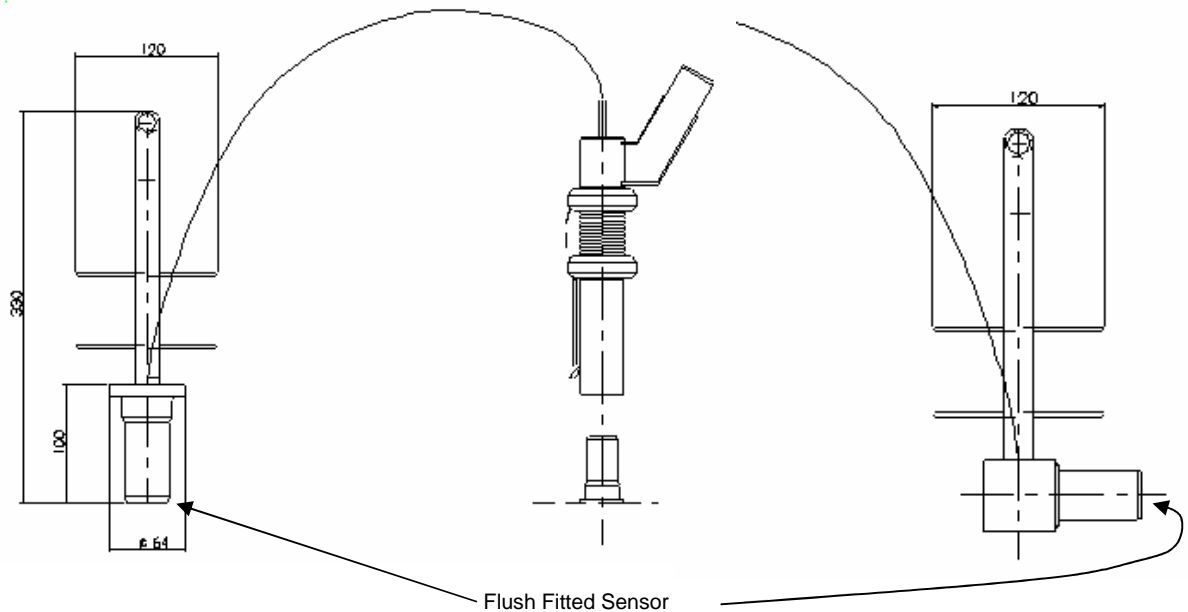


Radiation Tolerant Proximity Sensors Data Sheet

129/12/008
Vertical Sensor Housing

129/12/005 & 129/12/009
Compliant and Bulkhead
Connector

129/12/024
Horizontal Sensor
Housing



Stainless steel housing containing 5mm Flush Mounting Two Pole, D.C Proximity Switch

- Waterproof to IP 66
- Switching Distance: 5mm
- Ambient Temp Range: -25 to +75 °C
- Cable Length as Standard: 5m (Specific cable lengths available on request)
- Cable stowed in sensor housing and deployed as compliant connector is mated
- Part of a range of products designed for use by large power manipulators and MSMs
- Adopted by Sellafield Ltd as an Intermediate Level Waste (ILW) standard product

10mm Alternative Available

129/12/034
129/12/035

10mm Vertical Sensor Assembly
10mm Horizontal Sensor Assembly

Both supplied as standard with 5m of cable to Compliant Connector 129/12/005